

 STEELPOOL
EDITION



TIMELESSLY DESIGNED STAINLESS STEEL POOLS



– CREATED FOR YOUR DREAM HOME

We Shape Water with Steel

Steelpool is the result of more than 20 years of passion and experience in pool craftsmanship. For over two decades, we have created custom pool solutions for some of Scandinavia's most exclusive homes and luxury hotels.

Our stainless steel pools are designed and manufactured in Sweden. With the boundless potential of steel, we combine Scandinavian design with durability and exceptional quality. Every step of the manufacturing process is carried out with the utmost care and precision to ensure that the final result lives up to our high standards.

We create a place where design and functionality merge into an oasis for relaxation. Here, memories that last are made, a place to enjoy together with loved ones for generations to come.

Read more at www.steelpool.se/en/edition





Our Promise

Swedish-Made Precision

All production takes place in Landskrona. Our pools are fabricated in Sweden and delivered as complete solutions with a focus on seamless installation, precise fit, and high quality in every detail.

Seamless Installation

Our pre-produced components make the process fast and cost-effective. Your finished pool is delivered directly to your address, to be placed and anchored on the pre-cast concrete slab.

Long-Lasting Durability

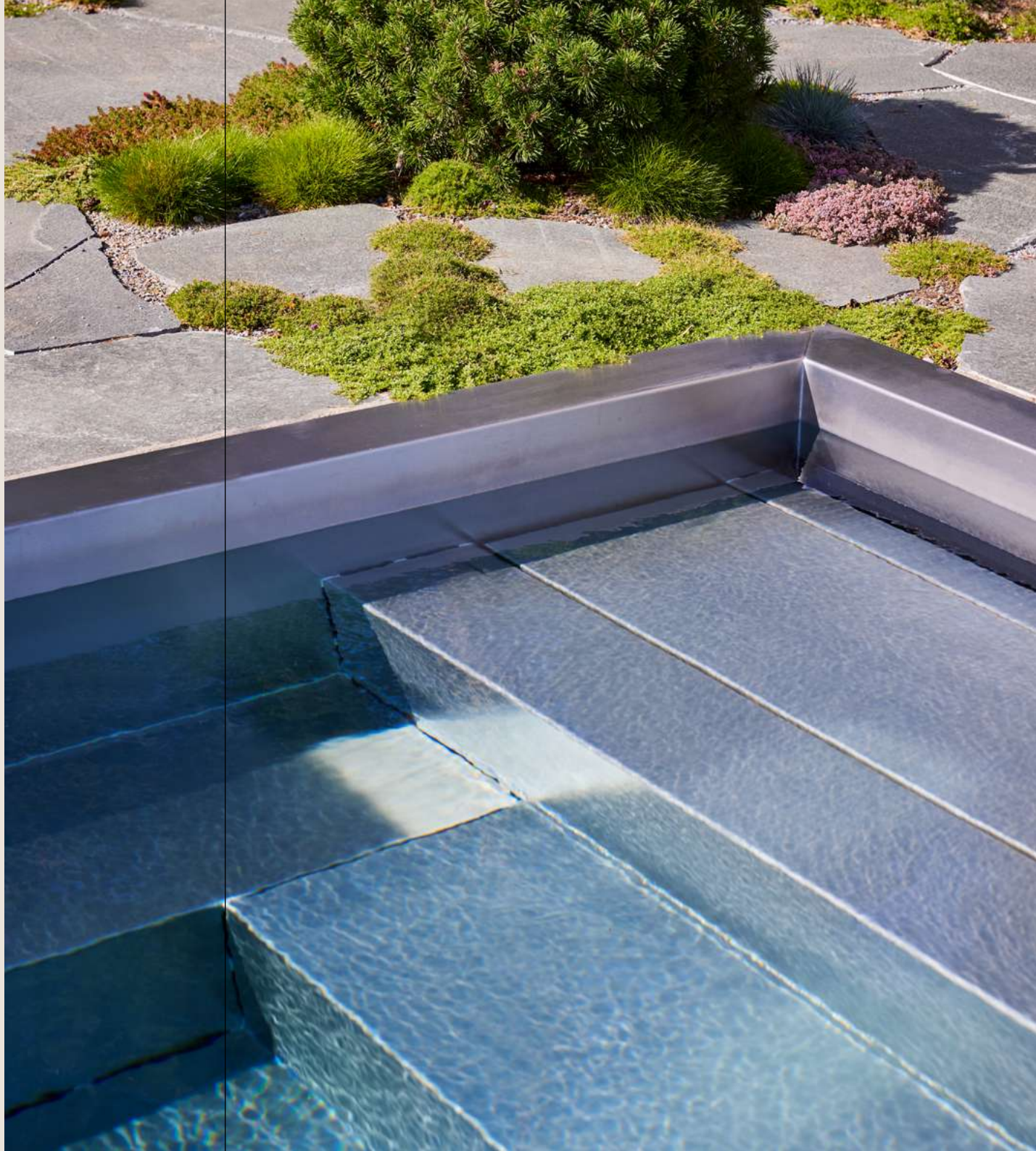
Our steel pools are manufactured from stainless steel of the highest quality, a material that is virtually unaffected by external wear or weather conditions. This ensures that the pool lasts long and retains its beautiful appearance for generations.

Guaranteed Watertightness

Our steel pools consist of a few meticulously welded parts, executed by licensed welders. Each pool is functionally tested with water to ensure a durable and watertight construction.

Accessible Luxury

Through smart manufacturing methods and meticulous production, we have created a pool series of the highest quality – making luxury more accessible than ever.



PRECISION IN EVERY STEP
– READY TO BE INSTALLED

About the EDITION Series

Steelpool Edition is a series of Swedish-made stainless steel pools with models for different needs and environments. The series includes EDITION 2, EDITION 3, EDITION 4, EDITION SPA 2, and EDITION KALL.

With clean lines, a sleek aesthetic, and the natural luster of stainless steel, the pools offer a stylish impression that lasts. Created for the Scandinavian climate, the pools maintain their beautiful appearance and functionality for many years to come. Through smart manufacturing methods and meticulous production, we have created a pool series of the highest quality – making luxury more accessible than ever.

Specifications

- Stainless steel in grade EN 1.4404/316L/SS 2343 (water contact)
- Stainless steel in grade EN 1.4301/304/SS 2333 (non-water contact)
- Pool walls made of satin-finished stainless steel
- Pool floor made of satin-finished stainless steel
- Stairs made of satin-finished stainless steel with blasted step surfaces
- Skimmer, inlets, and lighting in stainless steel

Models

EDITION 2

Width: 2 m | Length: 3 m
Water depth: 1.5 m
Outlet: Skimmer

EDITION 4

Width: 4 m | Length: 8 m
Water depth: 1.25 m
Outlet: Infinity or skimmer

EDITION KALL

Width: 0.8 m | Length: 0.8 m
Water depth: 1.25 m
Outlet: Skimmer

EDITION 3

Width: 3 m | Length: 6 m
Water depth: 1.25 m
Outlet: Infinity or skimmer

EDITION SPA 2

Width: 2.5 m | Length: 2.5 m
Water depth: 0.8 m
Outlet: Skimmer



YOUR DREAM POOL
CLOSER THAN EVER



Create Your Own Pool Dream

Every dream home is unique – and your pool should be too.

With EDITION 3 and EDITION 4, you have the freedom to customize details and stairs. There is also the option for a separate technical room with pre-made pipe penetrations and mounting points. Choose freely from our design options and create a pool experience that is perfect for you.

EDITION SPA 2 is delivered in a fixed configuration where the following is included as standard: a non-slip staircase, two LED lights, a wide skimmer, and two inlets. For a more complete spa experience, EDITION SPA 2 can also be equipped with a bubble zone in the seating area as well as massage jets with 2, 4, or 6 nozzles depending on the desired configuration.

EDITION KALL is designed for environments where contrast baths and recovery are in focus. The stainless steel construction, insulated walls, and floor contribute to a well-thought-out solution for long-term use. To customize the cold plunge pool, there is an option to complement it with a stainless steel shell and an insulated thermal cover for night closing.

Customizations for EDITION 3 and EDITION 4:

Skimmer

With a skimmer, the water level is kept just below the top edge, ensuring that the water remains in the pool even during lively play. A pool with a skimmer also means simpler water purification, as no separate balance tank is required.

Infinity

With an infinity overflow (to the overflow channel), the water surface is at the highest level, creating a seamless transition between the pool's water surface, the overflow grate, and the surrounding areas, which provides a sleek look.

Stairs

A 1-meter wide staircase is included as standard. As an option, we offer a full-width staircase, where the second step from the top has double seating width – the perfect place for relaxation and enjoyment on a warm day.

Lighting

Four LED RGB lighting points are included as standard, and as an option, there is the possibility to choose two extra light sources, which are also placed on the short sides of the pool.

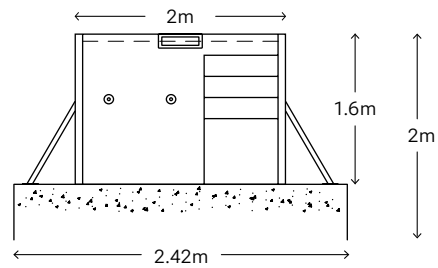
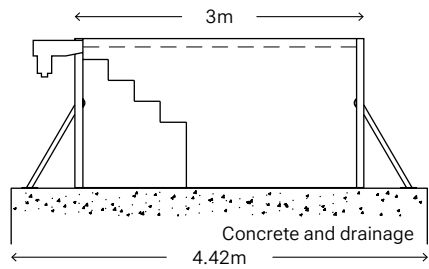
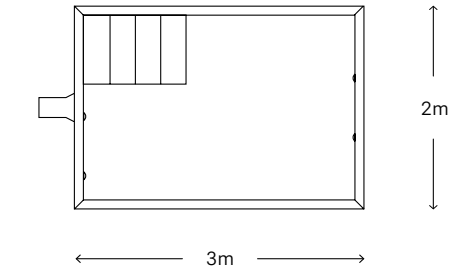
Technical Room (applies to all models)

Choose a separate technical room with pre-made pipe penetrations and mounting points for easy installation. The room is equipped with a practical access hatch and a ladder for easy access. It's placed on a stable foundation to guarantee long-term safety and stability. Internal dimensions: 1.4x1.4x1.4m.

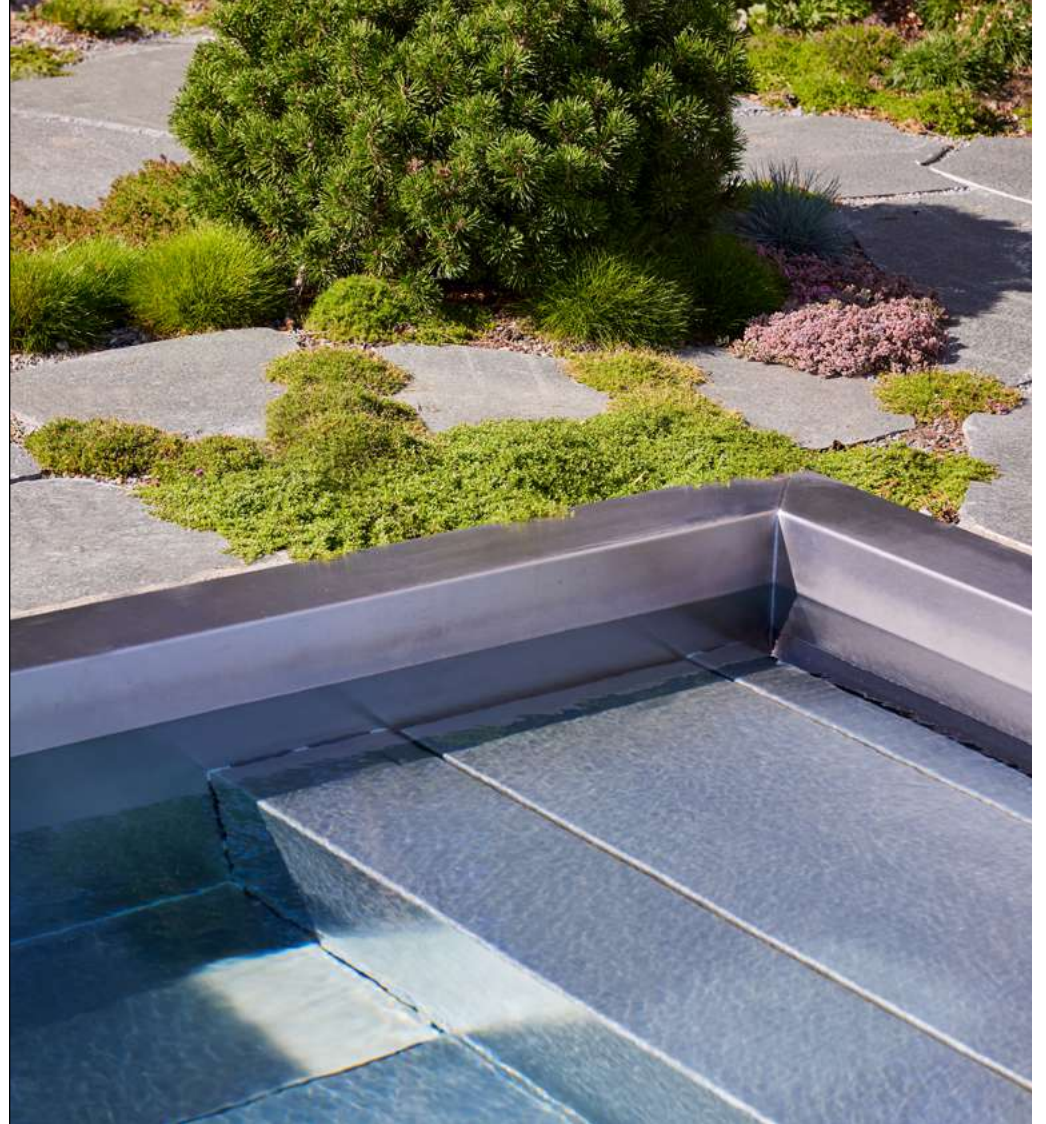
Size

We can offer custom lengths upon request.

EDITION 2



Total approx. 2m depth for fully in-ground pool with water depth 1.5m. (The total depth may vary depending on ground conditions).

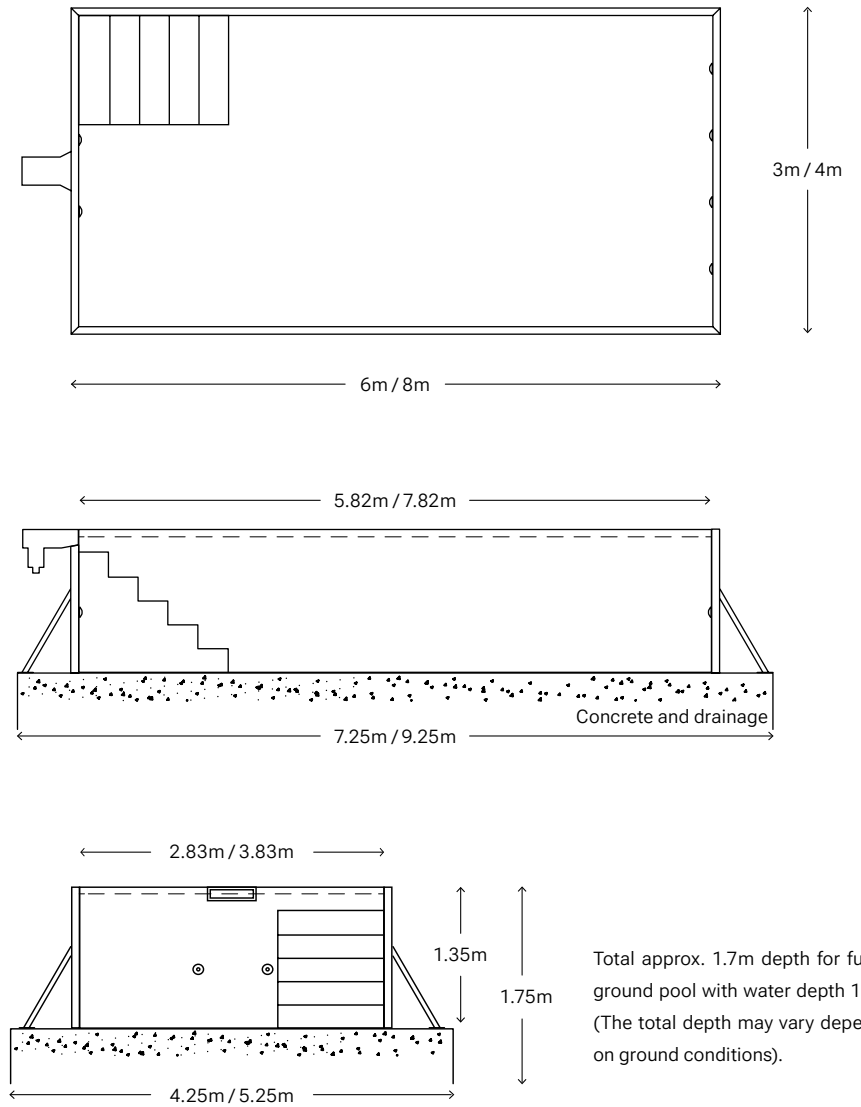


EDITION 2 is delivered in a fixed configuration with an integrated staircase, two inlets, and two underwater lights. It suits projects where space is more limited, but where the choice of materials, design language, and experience must still maintain the same high level.



With a skimmer, the water level is kept just below the top edge, ensuring that the water remains in the pool even during lively play. A pool with a skimmer also means simpler water purification, as no separate balance tank is required.

Skimmer | Customization for EDITION 3 and EDITION 4





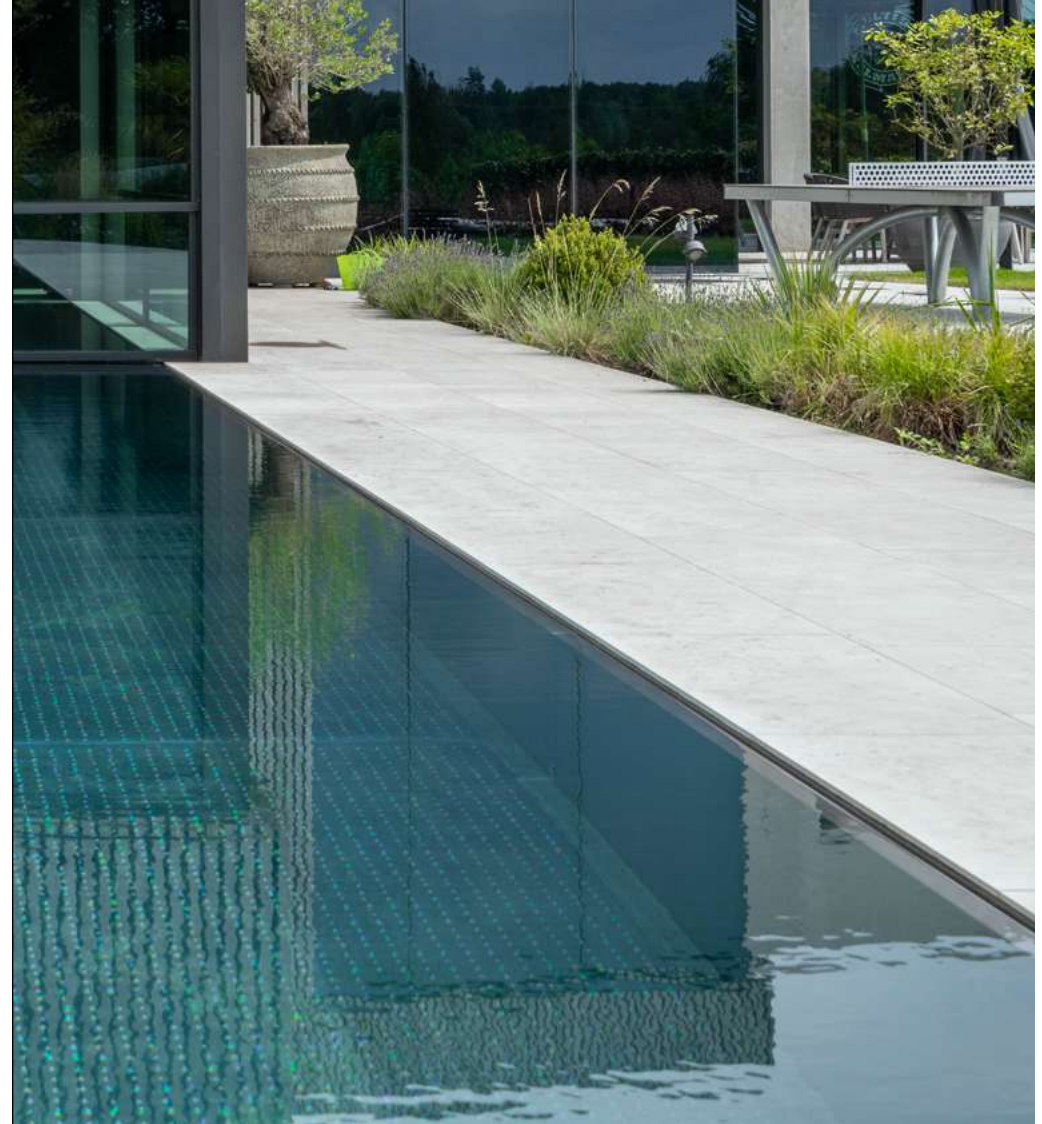
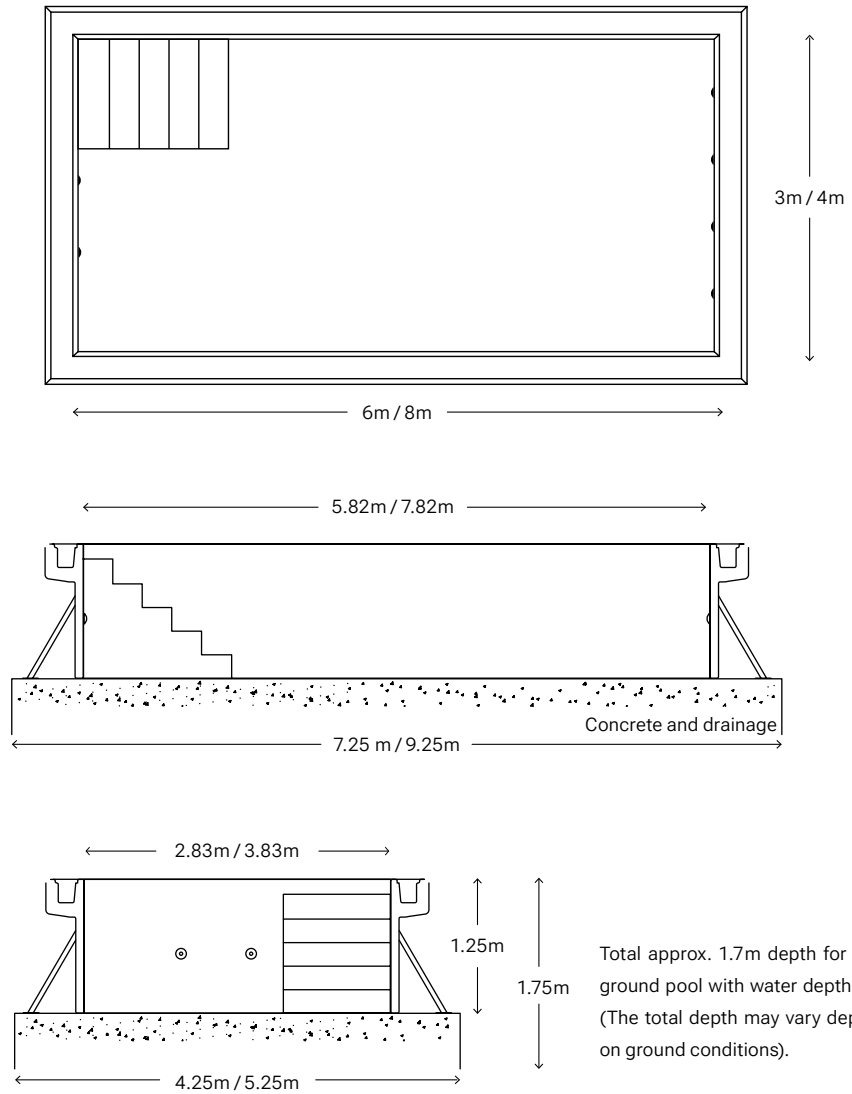
Durable Steel

We understand that your pool is a long-term investment. Thanks to the durable material of steel, we can offer pools that are completely sealed and built to last.

The lightweight steel pools are installed faster and easier than pools in other materials, and once in place, they require virtually no maintenance. The steel pool can be used frequently without losing elegance or function and can also be recycled, making it a conscious choice.



Infinity | Customization for EDITION 3 and EDITION 4

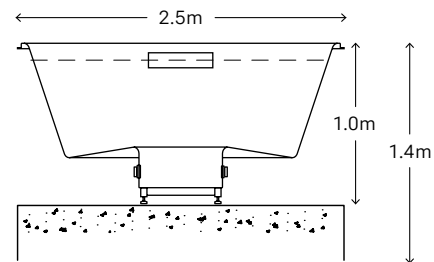
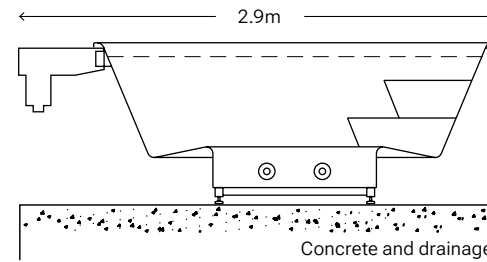
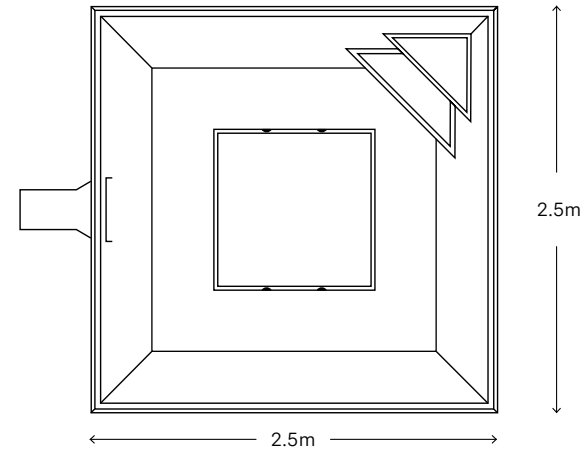


With an infinity overflow (to the overflow channel), the water surface is at the highest level, creating a seamless transition between the pool's water surface, the overflow grate, and the surrounding areas, which provides a sleek look.



EDITION SPA 2 is delivered in a fixed configuration where the following is included as standard: a non-slip staircase, two LED lights, a wide skimmer, and two inlets. There is an option to choose a bubble zone in the seating area as well as massage jets with a different number of nozzles depending on the desired configuration. In addition, options such as a spa cover and a separate technical room are also available.

EDITION SPA 2



Total approx. 1.4m depth for fully in-ground pool with water depth 0.8m. (The total depth may vary depending on ground conditions).

EDITION KALL

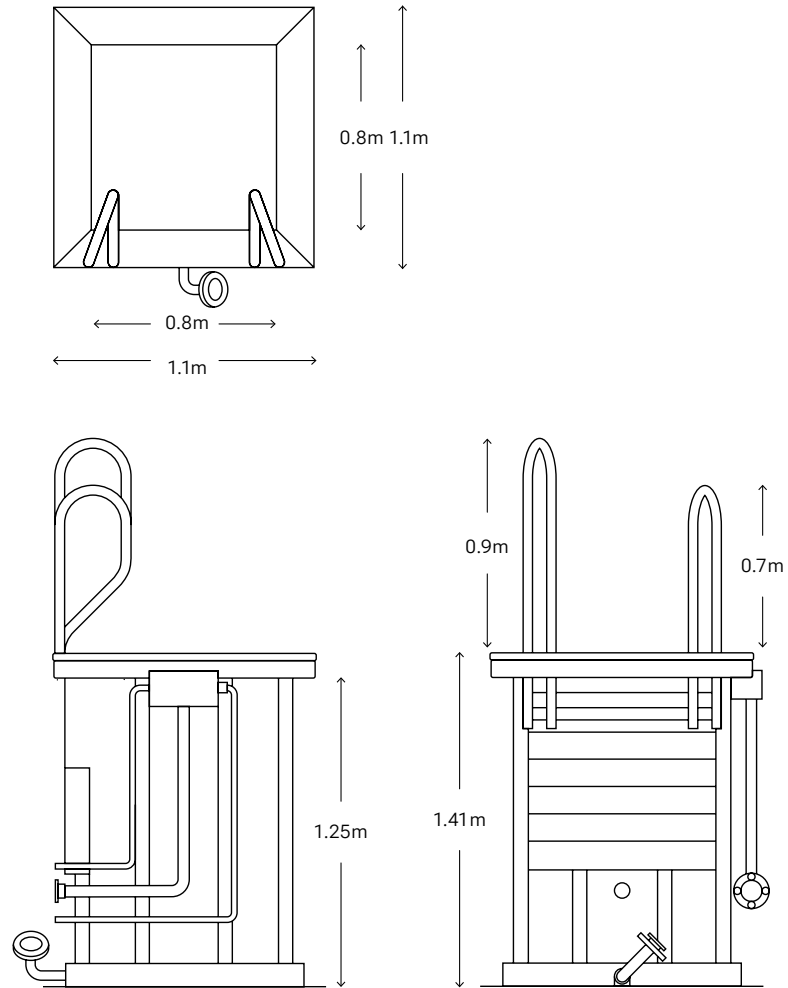


Photo from Camp Ripan in Kiruna.

EDITION KALL is designed for environments where contrast baths and recovery are in focus. The stainless steel construction, insulated walls, and floor contribute to a well-thought-out solution for long-term use. In addition, there is an option to complement it with a stainless steel shell and an insulated thermal cover for night closing.





FOR THOSE WHO DON'T
COMPROMISE ON QUALITY



In Partnership with Pahlén

In our Swedish-made steel pools, every detail is carefully selected to live up to our high standards of precision, design, and quality. Our built-in components, lighting, and massage functions are delivered in close cooperation with Pahlén AB.

Pahlén is a premier Swedish manufacturer with over 50 years of experience in crafting premium pool equipment. Their products are made from first-rate quality materials, including acid-proof stainless steel, which guarantees absolute reliability, a sleek modern design, and an outstanding product lifetime.





Skimmer Classic Wide 385

An exclusive skimmer featuring a high-gloss polished front plate made of premium acid-proof stainless steel. Its wide-opening design allows for a higher water level in the pool, creating a sleek, seamless look. It effectively draws in surface water to trap leaves and debris inside a large, spacious filter basket, ensuring optimal water circulation with a maximum flow capacity of 12 m³/h.



Inlet Classic

An innovative inlet nozzle with a front plate made of premium acid-proof stainless steel. Its unique design features two oval nozzles set at a 6° angle, which significantly extends the flow throw length and optimizes water circulation throughout the pool. The nozzle is fully adjustable ($\pm 11^\circ$) and can be installed either horizontally or vertically to fit the exact layout of your pool.



Lighting Classic LED

A premium underwater LED lighting system encased in a robust stainless steel frame. It provides a stunning light display inside your pool with 16 different pre-programmed lighting modes, allowing you to effortlessly customize the colors and mood to create the perfect poolside atmosphere.



Massage Medium Classic

A flexible massage station for pure relaxation and recovery. The Jet Massage system features independent stainless steel inlets and outlets that can be configured with multiple nozzles depending on your preferred layout. Offering an adjustable massage flow, it's the perfect upgrade to achieve a complete, high-end spa experience right in your pool.



Jet Swim Athlete

A powerful counter-current system designed to transform your pool into a high-end training environment, equipped with a robust 4.0 kW motor and an impressive pump capacity of 68 m³/h. The flow technology utilizes two oval nozzles, ensuring an even distribution of the stream without air mixture for a highly natural and smooth swimming experience. Easily activated via a pneumatic start button located directly on the front plate.

Steelpool Edition offers Swedish-made complete steel pools with customizations such as infinity overflow, full-width stairs, and a functional technical room. We combine Scandinavian design with the highest quality, and make luxury accessible to everyone.

For more information about Steelpool Edition, please visit our website www.steelpool.se/en/edition.





 **STEELPOOL**
EDITION

www.steelpool.se/en/edition