

Steelpool

We provide our customers with steel pools that boast endless design possibilities. Here you will find a selection of options to bring your dream pool to life, including alternative infinity design solutions, massage features and fountains. For access to our complete range of offerings, do not hesitate to contact us.

We bring your visions to life

We know that every customer has unique needs, preferences and circumstances. With Steelpool, you get a customized pool tailored to your specific requirements and desires. A comprehensive solution where every detail is carefully considered: from shape to depth and lighting. We support you every step of the way, from initial planning to the final installation phase. Continuously striving to guarantee a secure and effortless experience, we're here to inspire and assist you in making optimal decisions throughout the entire journey.



Robert Brauns, CEO

T: 070-768 12 37
E: robert.brauns@steelpool.se



Torbjörn Frantsi, Marketing Director

T: 070-375 03 55
E: torbjorn.frantsi@steelpool.se

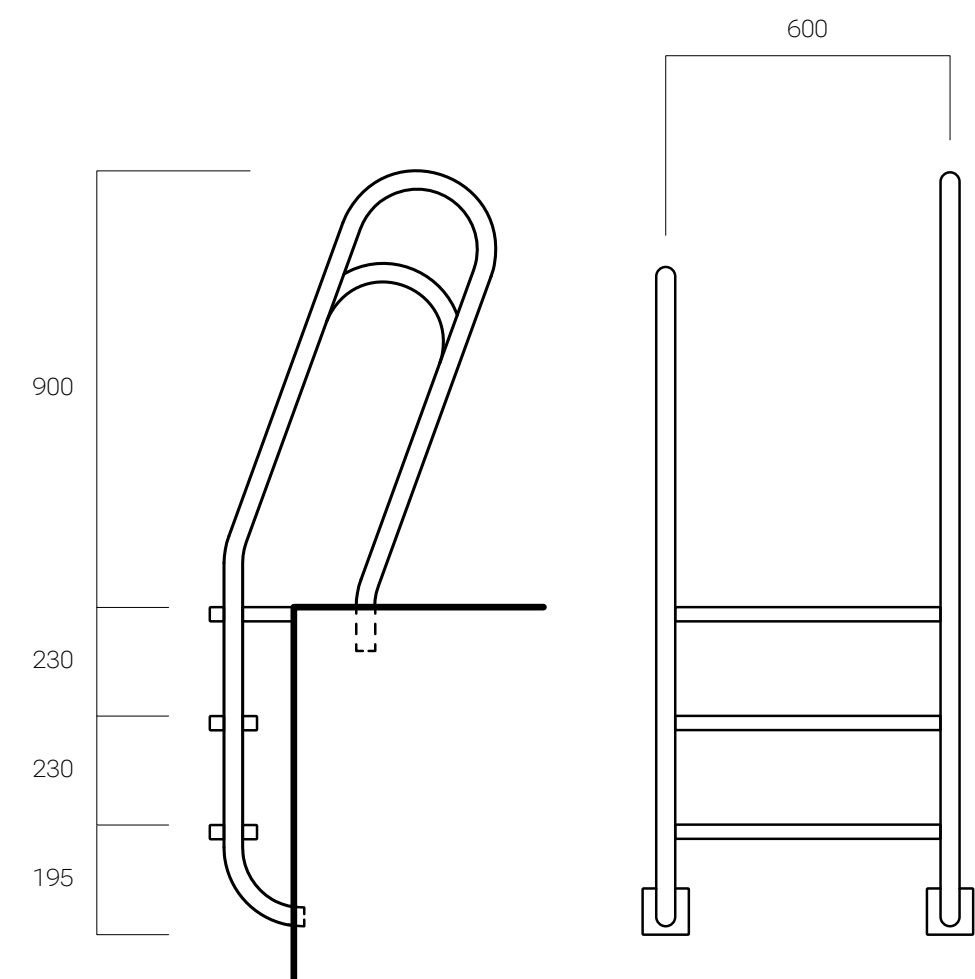


Ladders

All ladders are made of stainless steel in a quality EN 1.4404 /316L. The pipes are polished and the steps are pattern-embossed and blasted for good slip resistance. The ladder is delivered either fully welded in a matte finish or polished in a glossier finish.

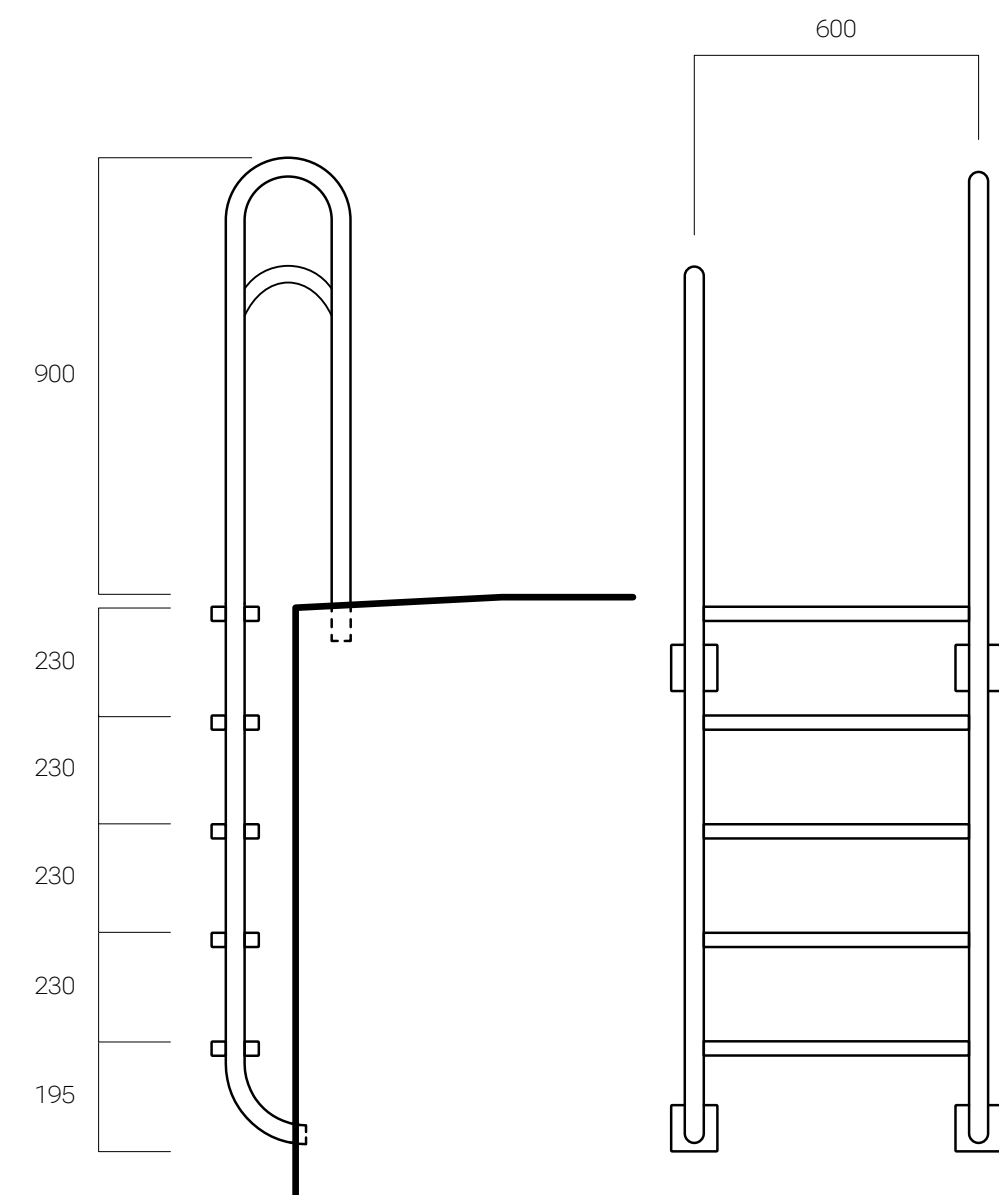
During construction, floor and wall brackets should be fixed at the correct height. At least one floor or wall bracket should be connected to an earth cable.

Model A



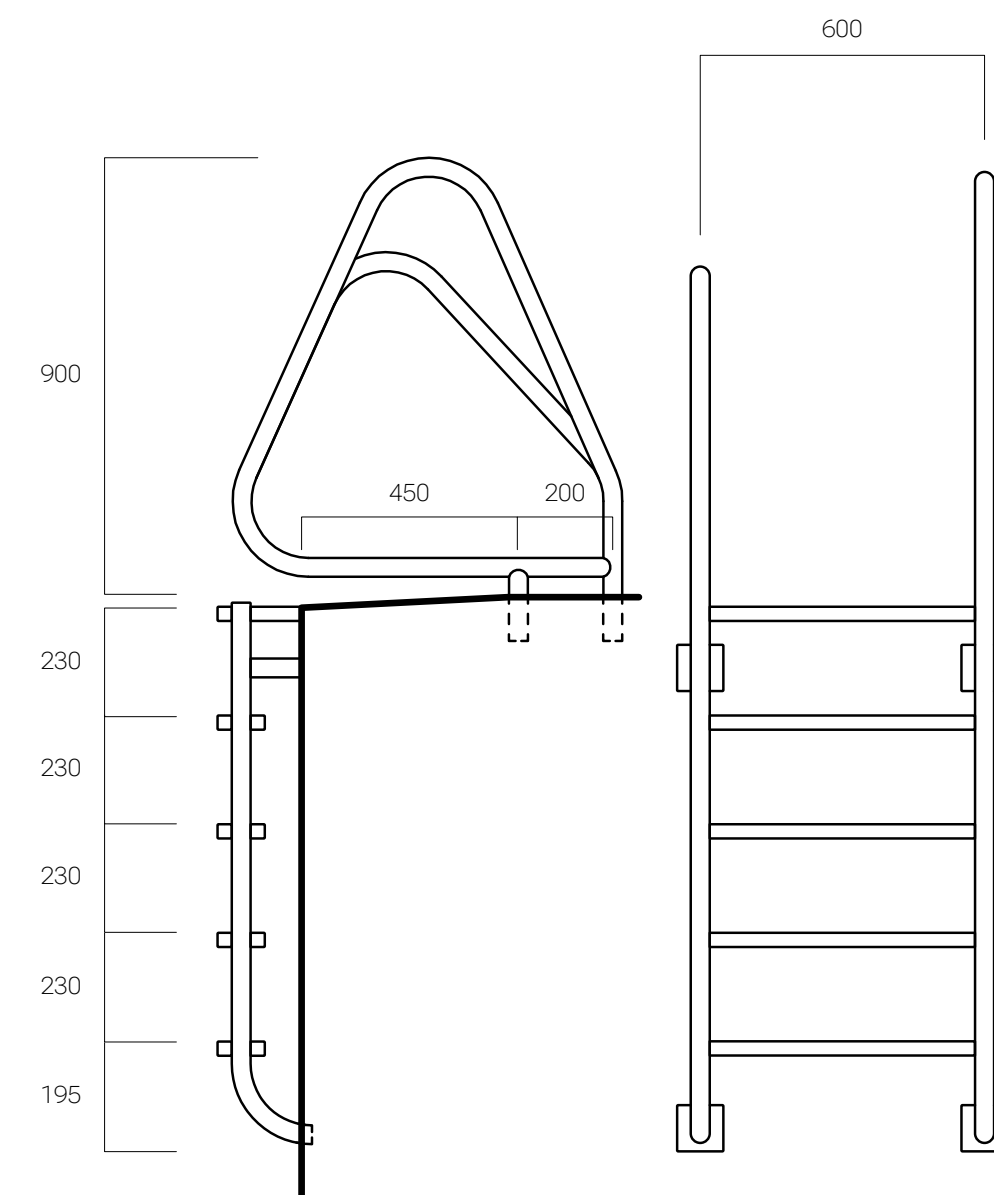
Number of steps: 2/3/4/5/6/7

Model B



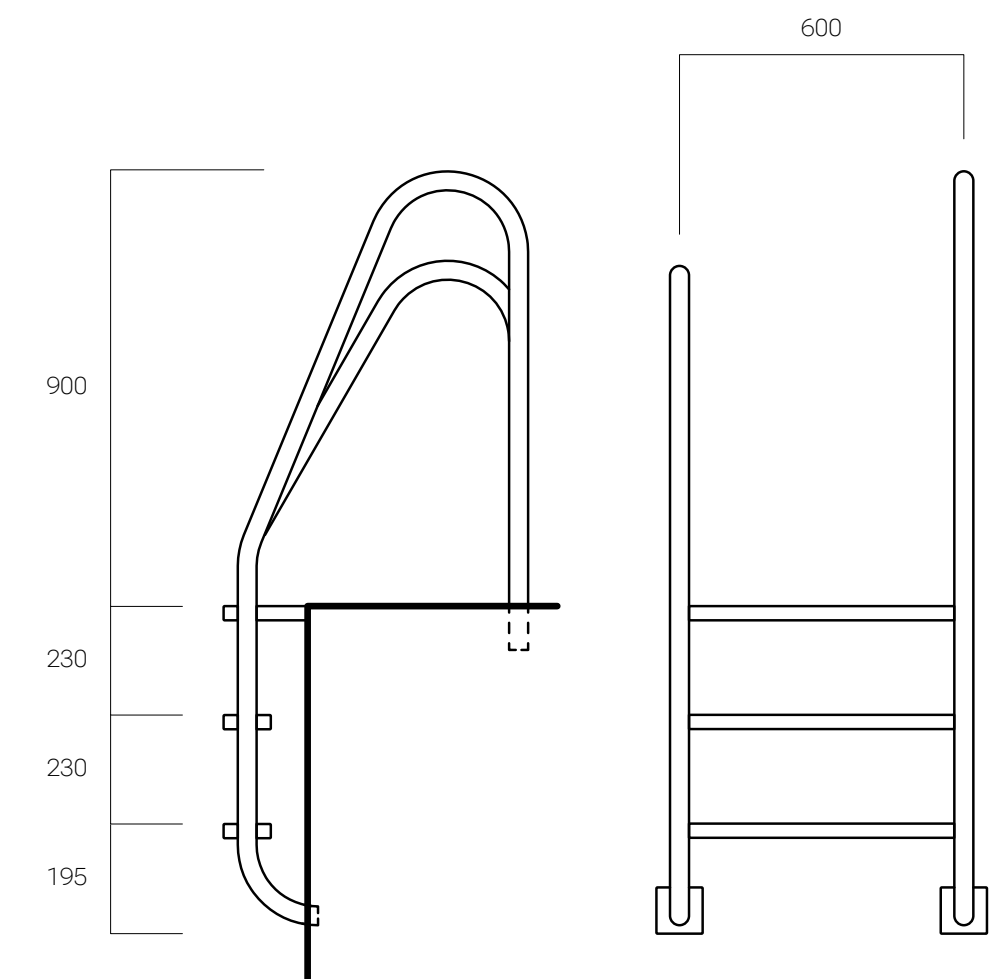
Number of steps: 5

Model E



Number of steps: 5

Model F



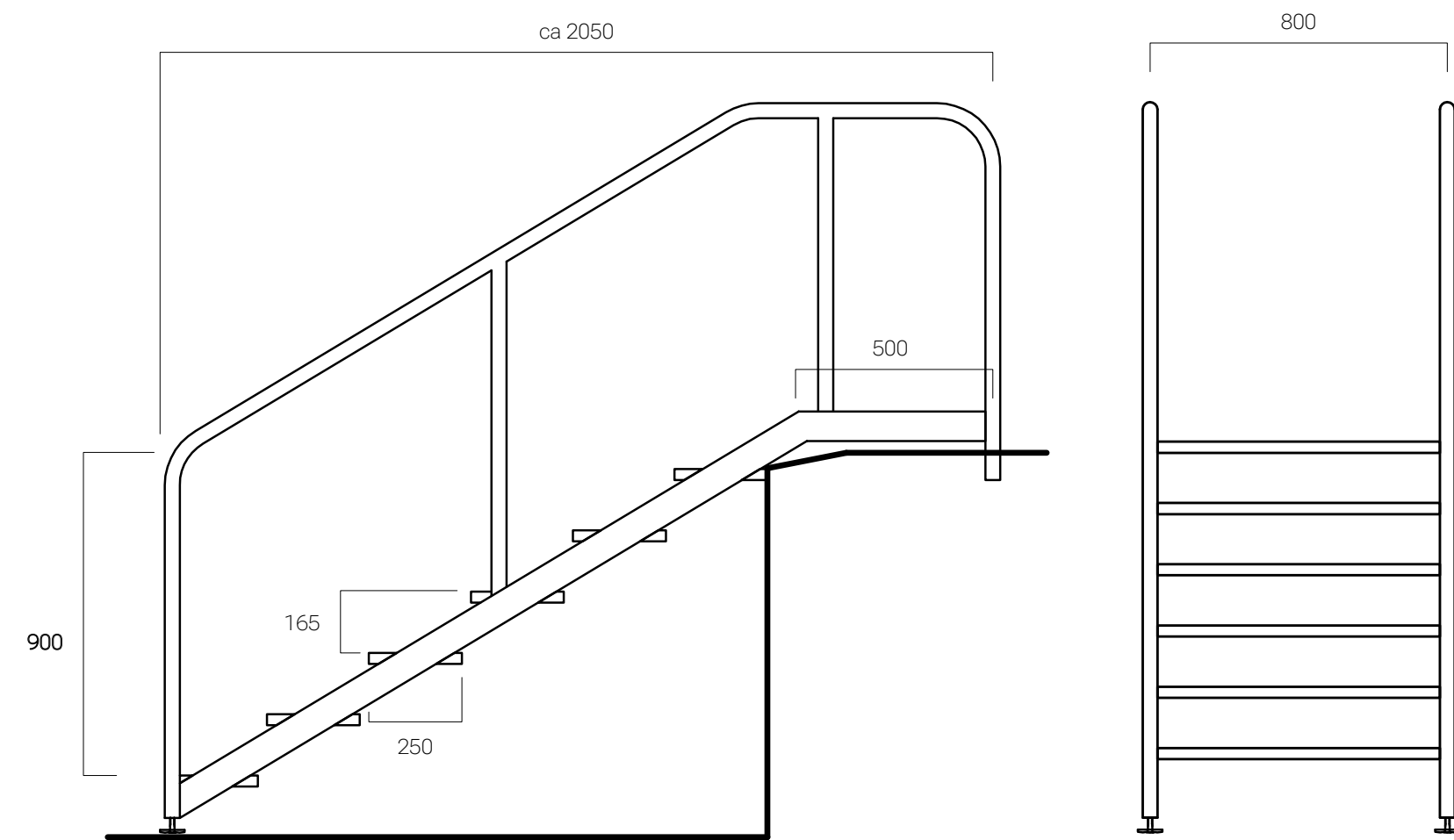
Number of steps: 3/5

Ladders

All ladders are made of stainless steel in a quality EN 1.4404 /316L. The pipes are polished and the steps are pattern-embossed and blasted for good slip resistance. The ladder is delivered either fully welded in a matte finish or polished in a glossier finish.

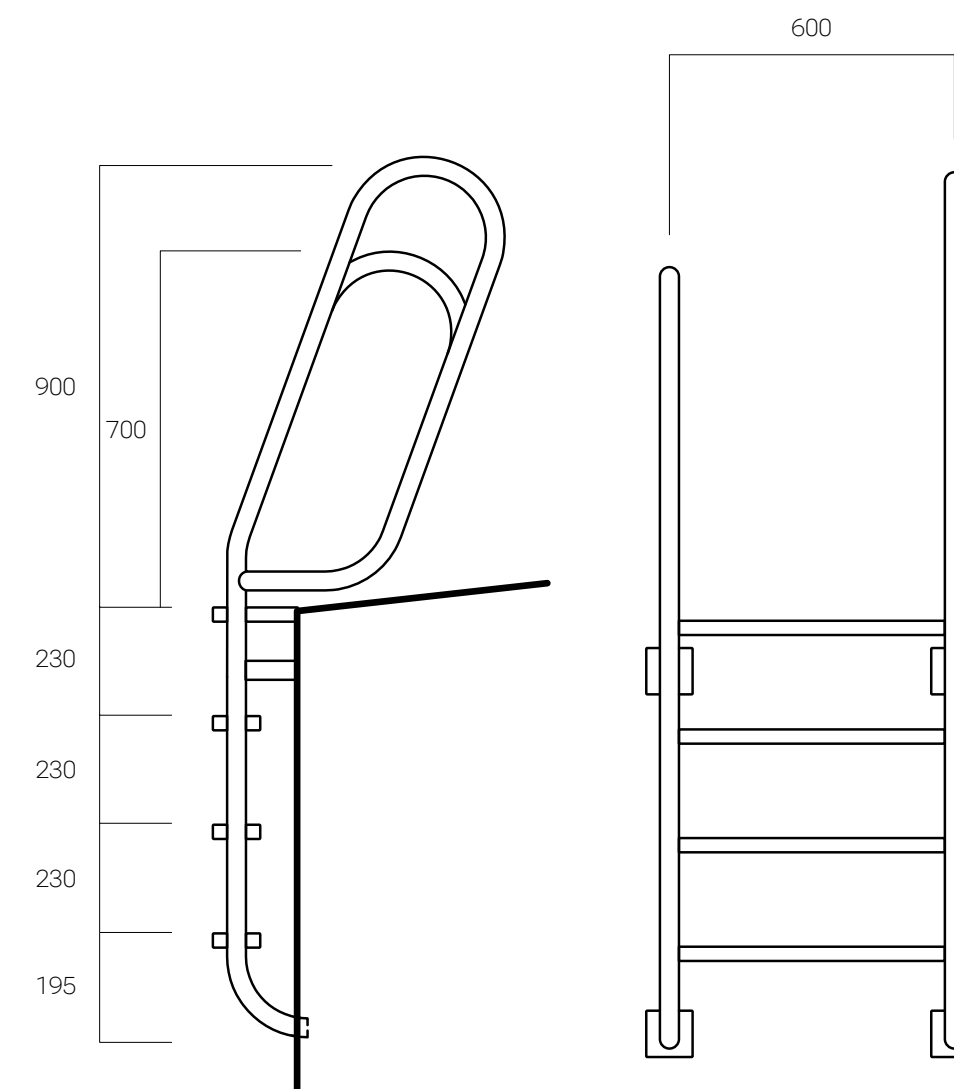
During construction, floor and wall brackets should be fixed at the correct height. At least one floor or wall bracket should be connected to an earth cable.

Self-supporting, wheelchair accessible



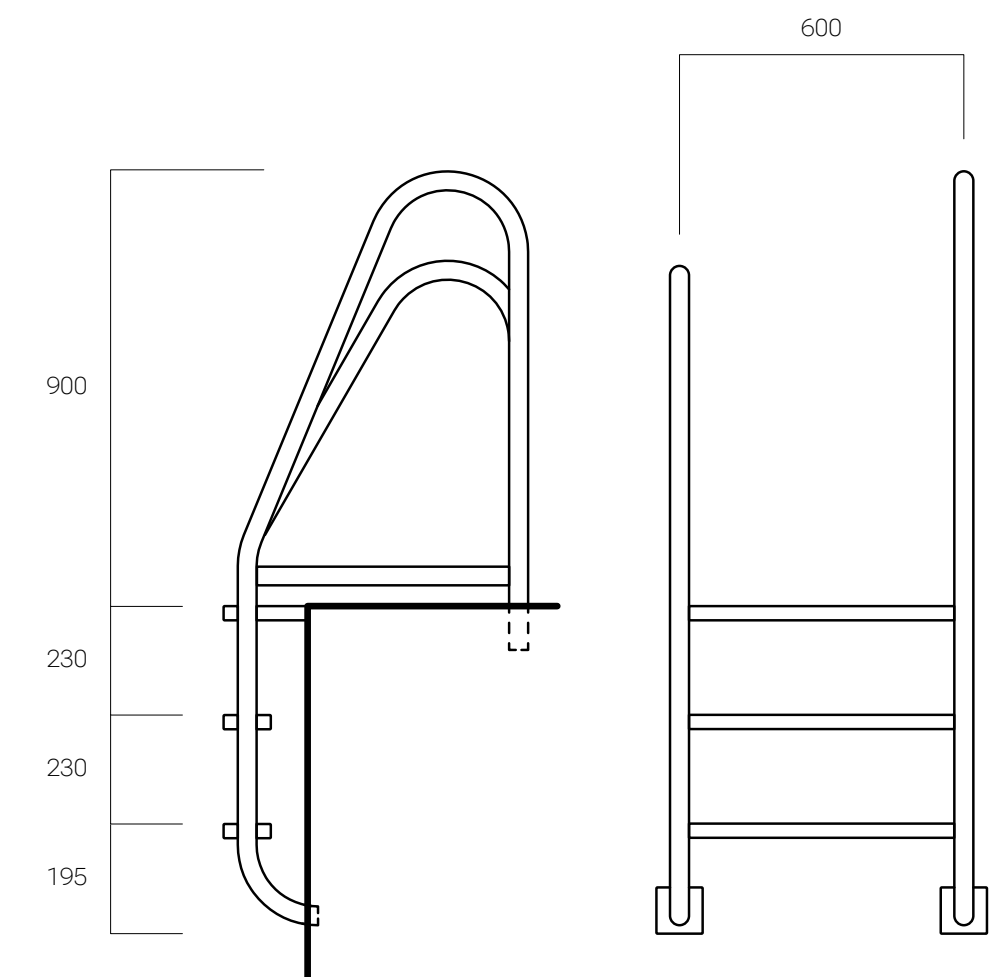
Number of steps: 6

Model G



Number of steps: 4/5

Model H



Number of steps: 3/5

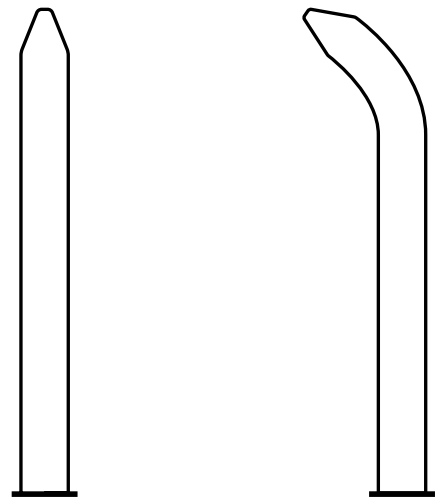
Fountain

All fountains are made of stainless steel in a quality EN 1.4404 / AISI 316L / V4A.

We recommend grounding the product.

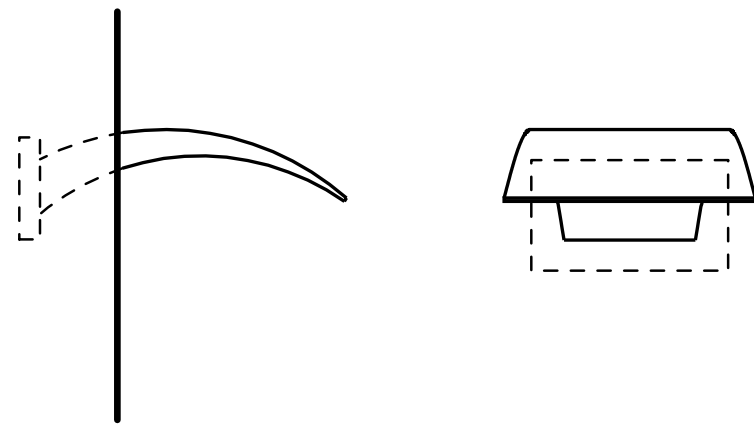
Slim-flow waterfall

Finish: Polished
With flange connection and counter flange for casting.



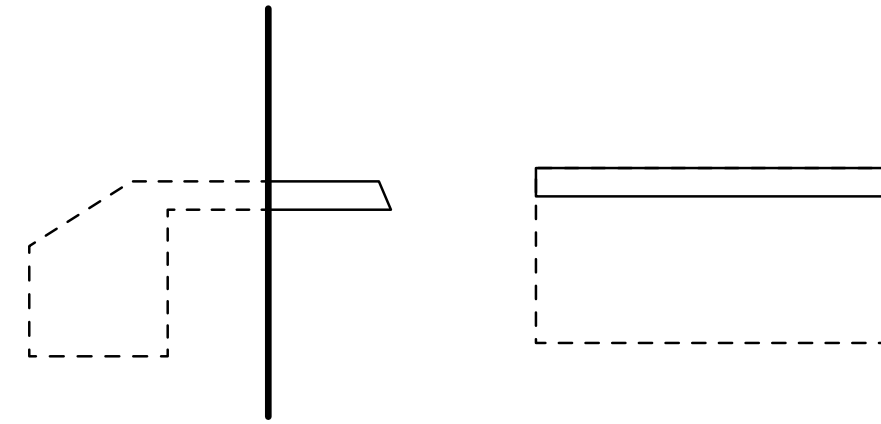
Waterfall, Cobra, Wall-mounted

Finish: Polished
Ev. with flange connection and counter flange for casting.



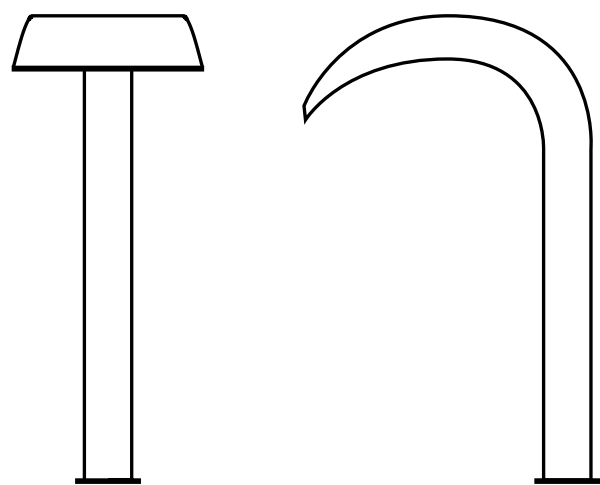
Waterfall, Wall-mounted

Finish: Polished
Vertical/Horizontal pipe, for casting.



Wide-flow waterfall

Finish: Polished / Lacquered in Silver / Blue metallic
With flange connection and counter flange for casting.



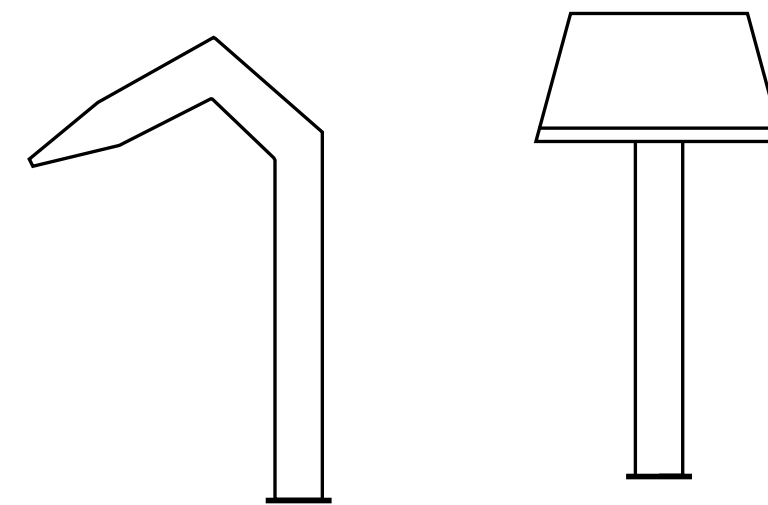
Waterfall, Cobra

Finish: Polished / Lacquered in Silver / Blue metallic
With flange connection and counter flange for casting.



Waterfall, Angular

Finish: Polished / Lacquered in Silver / Blue metallic
With flange connection and counter flange for casting.



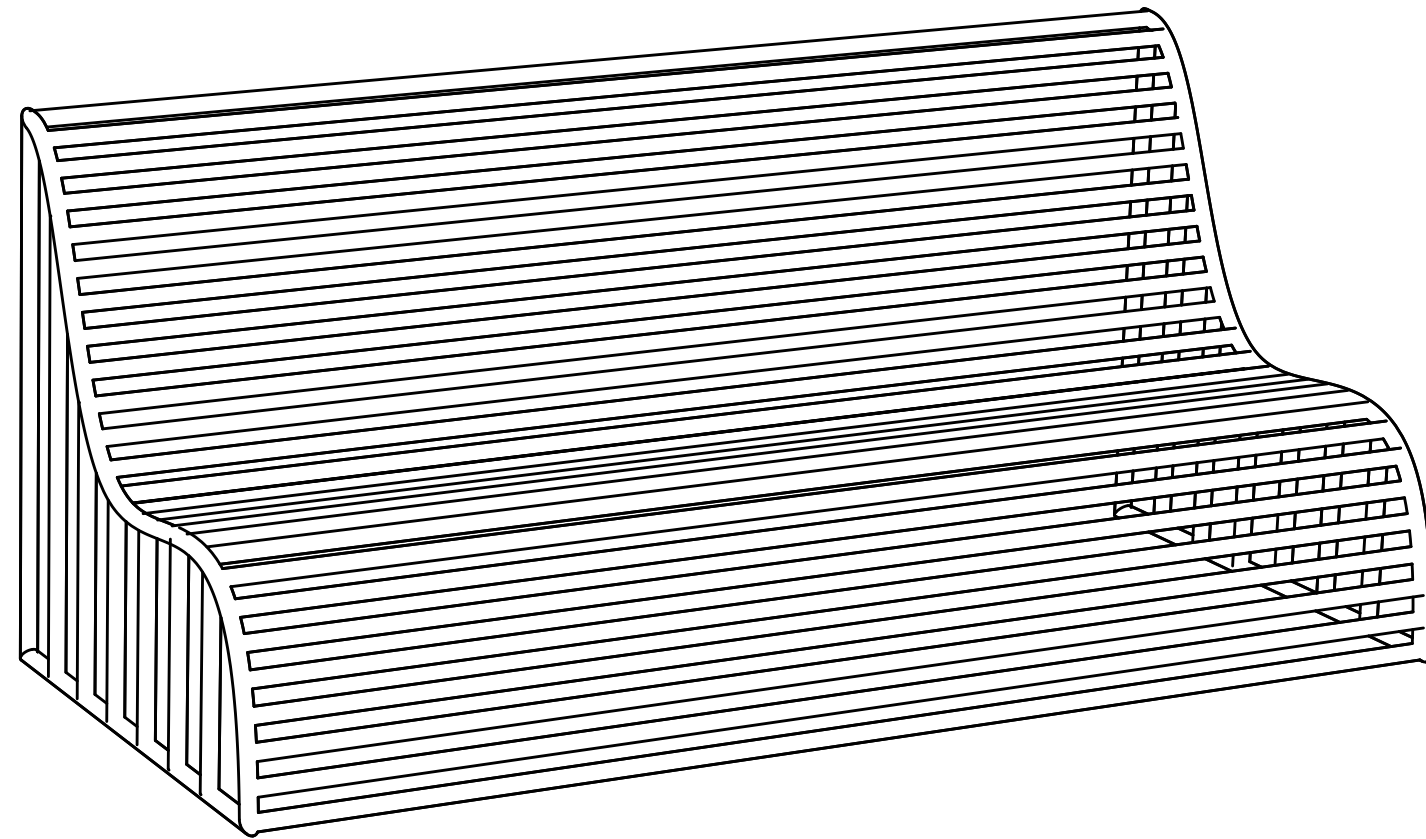
Massage

All massage accessories are made of stainless steel in a quality EN 1.4404 / 316L st' st'.

 STEELPOOL

Air massage sofa

Finish: Mirror polished/ Satin polished



Standing massage station

Finish: Mirror polished/ Satin polished

